



FITTING INSTRUCTIONS

CARGO BARRIER *PART 31000*

NISSAN PATROL Y62 - 2015-Current (*Rear Air Bag*)

**CARGO
BARRIER**
BUILT FOR WORK & PLAY!



Image for display only





CONGRATULATIONS ON YOUR PURCHASE OF A **QUALITY MSA 4X4** CARGO BARRIER

A quality MSA 4X4 Cargo Barrier is easy and safe to install into your vehicle. It utilises the existing holes for the rear grab handles.

Here's what comes inside the box:

- 1 x** Cargo Barrier
- 1 x** Safety Hammer
- 1 x** Barrier Compliance Plaque
- 1 x** Barrier Identification Sticker
- 1 x** Seating Warning Plaque
- 3 x** Barrier Mounting Bracket
- 3 x** 25mm MSA Barrier Knob
- 3 x** M8 Crinkle Washer
- 3 x** M8 Flat Washer
- 3 x** M8 Nylon Washer
- 3 x** M8 Rubber Washer
- 2 x** Grab Handle Bracket
- 4 x** M6 Allen Head High Tensile Bolt
- 4 x** M6 Flat Washer
- 4 x** M6 Split Washer
- 4 x** M6 Spacer Washer
- 4 x** M6 Nut Cover
- 2 x** Top Barrier Strap
- 2 x** 25mm MSA Barrier Knob
- 2 x** 20mm MSA Barrier Knob
- 4 x** M8 Nylon Washer
- 4 x** M8 Crinkle Washer
- 4 x** M8 Flat Washer
- 4 x** M8 Rubber Washer



If anything is missing, please contact us via: warranties@msa4x4.com.au

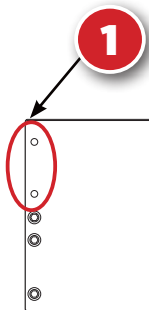
INSTALLATION STEPS

1 STORAGE DRAWERS PREPARATION

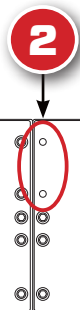
Remove the top two M8 Allen Head Bolts from the rear of the Driver and Passenger Side Drawers. For the centre bracket you will need to remove the top two M8 Allen Head Bolts on the Passenger Side Drawer only.



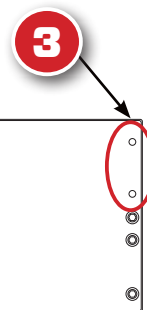
Driver Side Barrier Mounting Bracket, with the holes offset to the left attaches **HERE**.



Centre Barrier Mounting Bracket, with no offset on the holes attaches **HERE**.



Passenger Side Barrier Mounting Bracket, with the holes offset to the right attaches **HERE**.



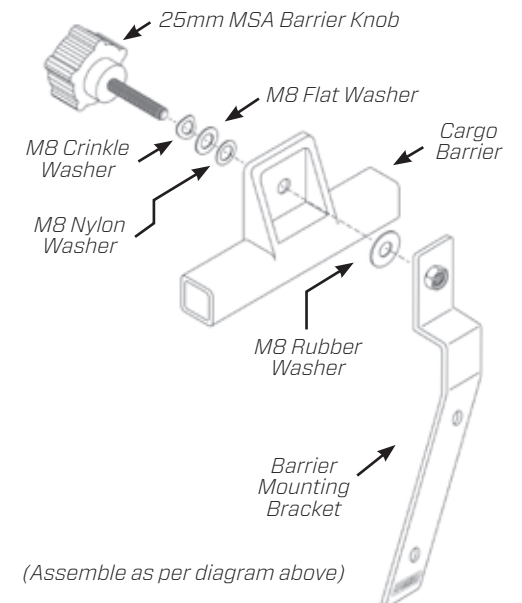
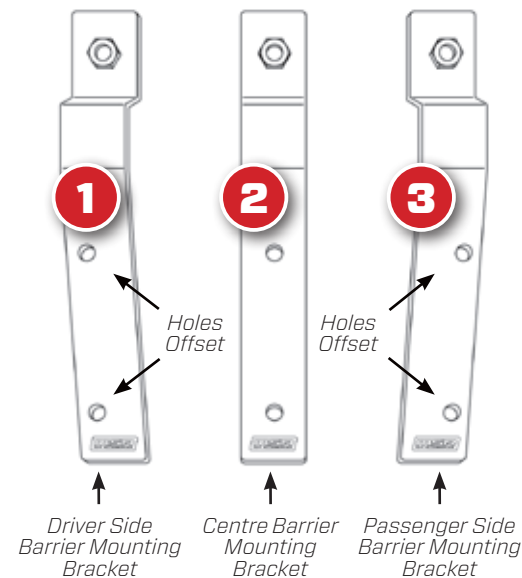
2 BARRIER MOUNTING BRACKETS

PLEASE NOTE

✓ Holes in the Driver and Passenger Side Brackets are off-set so they sit flush with the edge of the drawer frame when attached.

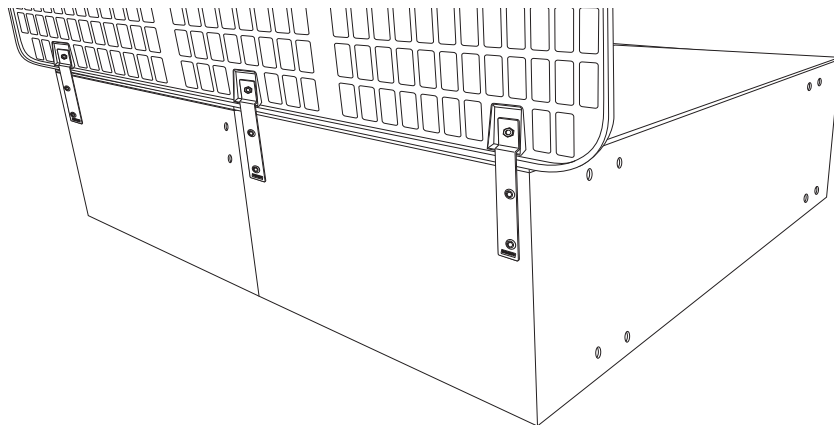
Attach the Barrier Mounting Brackets to the Cargo Barrier prior to placing into the vehicle.

Place M8 Crinkle Washer, M8 Flat Washer and M8 Nylon Washer onto the 25mm MSA Barrier Knob. Slide through the Cargo Barrier. Place the M8 Rubber Washer between the Cargo Barrier and the top hole of the Barrier Mounting Bracket and tighten. Repeat for the other two bracket assemblies.



3 CARGO BARRIER

Carefully feed the **Cargo Barrier** in through the door and place onto the back of the drawers then start all six **M8 Allen Bolts** in by hand. Position the bottoms of the **Barrier Mounting Brackets** so they align with the holes where the **M8 Allen Bolts** came out of the drawers. Tighten the **M8 Allen Bolts** with an Allen Key, the **Cargo Barrier** will stay in position.



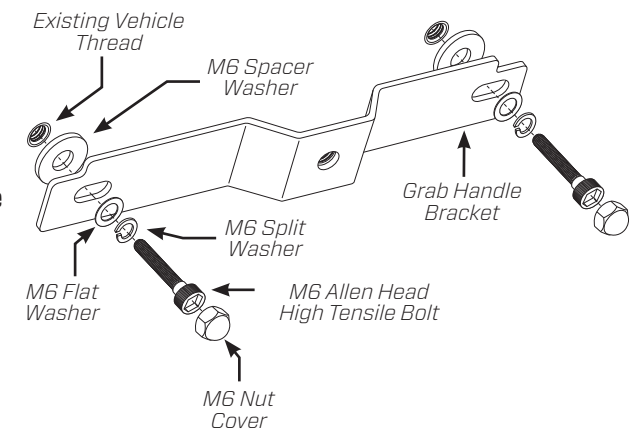
4 PREPARE THE VEHICLE

Start by removing the rear grab handles. Carefully remove the clip-on covers and the V clip that secures the handles. Store the handle safely in case you wish to use it in the future.



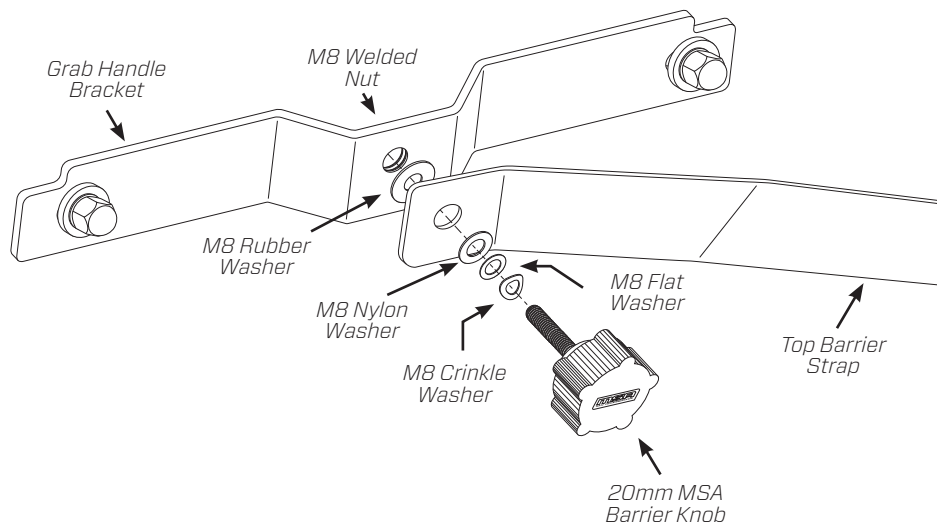
5 GRAB HANDLE BRACKET

To attach the **Grab Handle Bracket**, with the notch at each end facing up. Assemble the **M6 Allen Head High Tensile Bolt**, with a **M6 Split Washer** and **M6 Flat Washer**. Slide through the **Grab Handle Bracket**. Position the **M6 Spacer Washer** between the **Grab Handle Bracket** and the vehicle. Tighten into the existing vehicle thread. Place the **M6 Nut Cover** over the exposed **M6 Allen Head High Tensile Bolt** to finish.

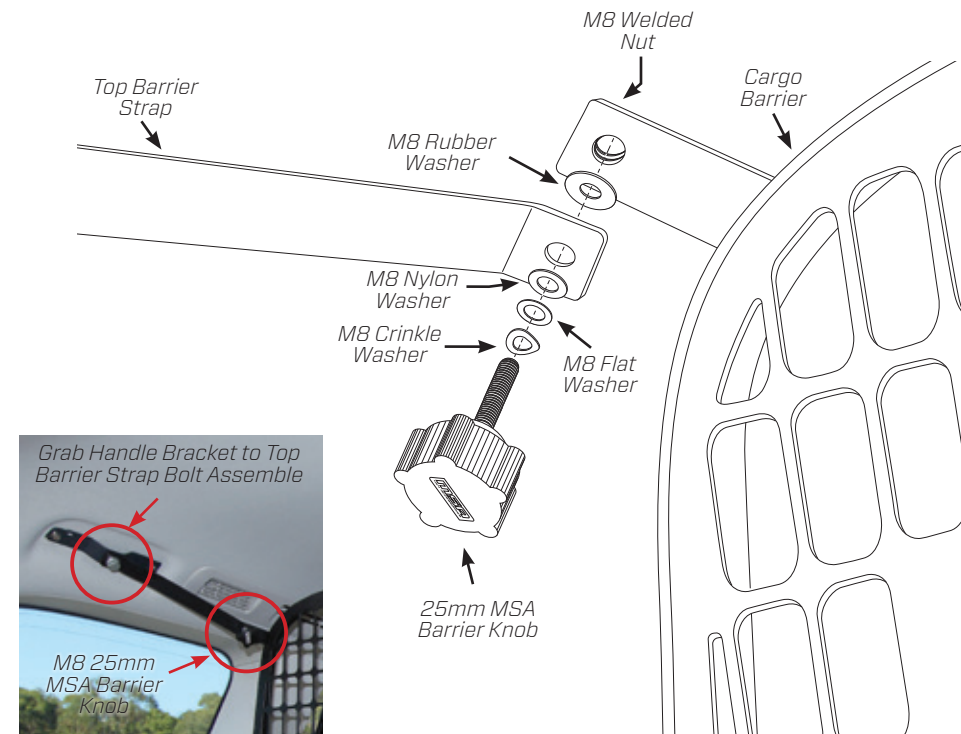


6 TOP BARRIER STRAP

To attach the **Top Barrier Strap** to the **Grab Handle Bracket**. Assemble the **20mm MSA Barrier Knob**, with a **M8 Crinkle Washer**, **M8 Flat Washer** and **M8 Nylon Washer**. Pass through the **Top Barrier Strap**, with the **M8 Rubber Washer**, between the **Top Barrier Strap** and the **Grab Handle Bracket**. Tighten the bolt assemble into the welded nut on the back side of the **Grab Handle Bracket**. Repeat this process for the other side bracket assembly.



For the other end of the **Top Barrier Strap**. Assemble the **25mm MSA Barrier Knob**, with a **M8 Crinkle Washer**, **M8 Flat Washer** and **M8 Nylon Washer**. Pass through the **Top Barrier Strap** with the **M8 Rubber Washer** between the **Cargo Barrier** and the **Top Barrier Strap**. Tighten the bolt assemble into the welded nut in to upper side of the **Cargo Barrier**. Repeat this process for the other side bracket assembly.



8 FINISHING

Once positioned correctly, tighten all nuts and bolts. Cover the **M6 Nuts** on the **Grab Handle Brackets** with the black plastic **M6 Nut Covers**.

Your installation is now complete



SAFETY GUARANTEE

The **MSA 4X4 Cargo Barrier** combined with a **MSA Storage Drawer System** has been ADR crash test certified.

Compliant to ADR Crash Test Standard:
AS/NZS 4034.2:2008

To meet ADR compliancing, your installation must utilise all the **MSA 4X4 Cargo Barrier** components as outlined in this installation guide and **ONLY** combined with the **MSA Storage Drawers System**.



Image for display only

MSA 4X4 LIFETIME GUARANTEE

MSA 4X4
**CARGO
BARRIER**
MSA 4X4



Address:

43 Harrington Street,
Arundel QLD, 4214

ABN: 50 150 429 566

Phone:

+61 7 5594 6664

Email:

warranties@msa4x4.com.au

Website:

msa4x4.com.au

All MSA 4X4 Accessories products are designed and manufactured to the highest quality standards to perform as they should. We stand behind our products with a Lifetime Manufacturer's Warranty. All claims under this warranty should be made by returning the product at your cost to MSA 4X4 Accessories Pty Ltd, 43 Harrington Street, Arundel, QLD 4214, with the detail of the fault, proof of purchase, proof of identification and vehicle fitment details where relevant. Lifetime manufacturer's warranty applies to the original purchaser only.

If we determine that an MSA 4X4 Accessories product is defective in materials or workmanship during the Lifetime Warranty, we will either repair or replace the product. Repair or replacement is solely at the discretion of MSA 4X4 Accessories Pty Ltd. This warranty does not apply to failure or damage caused by incorrect or faulty fitment, accidental or intentional damage, misuse or abuse, failure of other products, operation of the product outside of its environmental or technical specifications, or repair or modification carried out by anyone other than MSA 4X4 Accessories Pty Ltd. No charges will be accepted for external labour or materials.

Lifetime warranty applies to all MSA 4X4 Accessories Fridge Slides, Fridge Barriers, Storage Drawers, and steel or aluminium products, excluding MSA 4X4's Driving Mirrors & Power Panels. MSA 4X4 Accessories Lifetime warranty does not cover any coating faults, rust, scratches, chips, carpet or battery packs. Fabric product Lifetime Warranty covers all manufacture and fabric components. Lifetime Warranty will not cover any fading of fabrics.

MSA 4X4 Accessories products are designed for lifestyle applications. Due to the harshness of the mining environment,

MSA 4X4 Accessories products used in mining applications that may be operating outside of their environmental and technical specifications are therefore excluded from a Lifetime Warranty. MSA 4X4 Accessories products used in mining applications are warranted for up to 1 year.

Our goods come with guarantees that cannot be excluded under the Australian Consumer Law. You are entitled to a replacement or refund for a major failure and compensation for any other reasonably foreseeable loss or damage. You are also entitled to have the goods repaired or replaced if the goods fail to be of acceptable quality and the failure does not amount to a major failure.

DISCLAIMER

MSA 4X4 Accessories Pty Ltd is not liable to the buyer in contract or in tort arising out of, or in connection with, or relating to; (a) the performance of this product or any breach of these conditions; or (b) any fact, matter of thing relating to this product; or any error (whether negligent or in breach of contract or not) in information supplied to the buyer or a user before or after the date of the purchaser's or user's use of this product.



MSA4X4.COM.AU | GEAR FOR LIFE



+ 61 7 5594 6664  + 61 7 5594 6667  sales@msa4x4.com.au  msa4x4.com.au