



FITTING INSTRUCTIONS
DRAWER STACKING KIT
PART NO. 40001

DRAWER STACKING KIT

BUILT FOR WORK & PLAY!





CONGRATULATIONS ON YOUR PURCHASE OF A QUALITY MSA 4X4 DRAWER STACKING KIT

A quality MSA 4X4 Drawer Stacking Kit is easy and safe to install into your vehicle. No drilling is required.

Here's what comes inside the box:

- 4 x** Steel Folded Bracket
- 4 x** Steel 4 Hole Flat Backing Plate
- 2 x** Steel 2 Hole Flat Half Backing Plate
- 4 x** Alloy Spacing Block

- 8 x** M8 x 45mm Hex Head Bolt
M8 Flat Washers
M8 Nyloc Nut

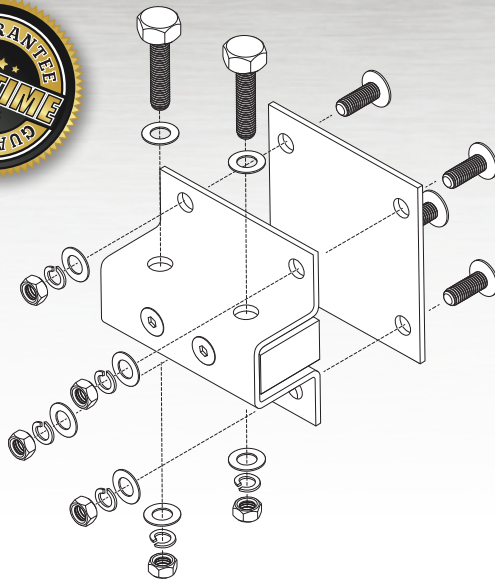
- 16 x** M8 x 20mm Allen Head Bolt
M8 Flat Washers
M8 Nyloc Nut

- 8 x** M8 x 15mm Allen Head
Countersunk Bolt

*If anything is missing, please contact us via:
warranties@msa4x4.com.au*

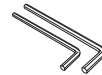


*MSA 4X4 Drawer Stacking Kit combined with a MSA Storage Drawer System has been ADR crash test certified.
Compliant to ADR Crash Test Standards
ADR3/02, ADR34/01 & ADR42*

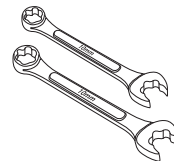


TOOLS REQUIRED

Allen Keys
4 & 5 mm



Spanners
10 & 13 mm





PLEASE NOTE

To meet ADR compliancing, your installation must:

Utilise all Drawer Stacking Kits' components as outlined in this installation guide.

ONLY stack ADR Compliant MSA Storage Drawers with the new style cross channel and bolt system.



Top side view



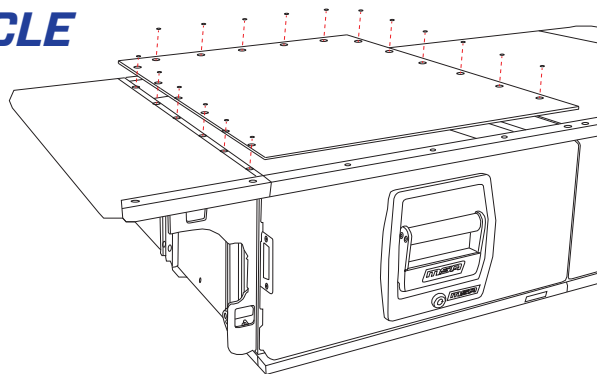
Under side view

1

PREPARE THE VEHICLE

The **Top Deck(s)** of your base drawers are not required with the **Drawer Stacking Kit**. Carefully remove the **Top Deck(s)**, store safely in case you wish to re-use in the future.

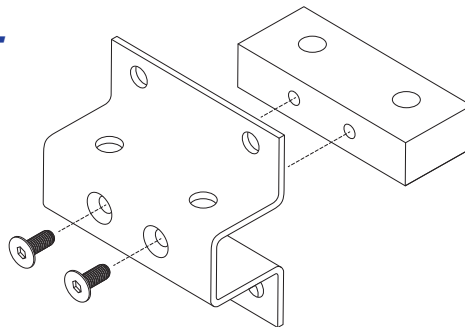
To remove your **Top Deck**, please remove all the counter sunk **M6 Bolts**



2

DRAWER STACKING KIT ASSEMBLY

Attach all four of the Alloy Spacing Blocks to the Steel Folded Brackets using the M8 x 15mm Allen Head Countersunk Bolts.



PLEASE NOTE

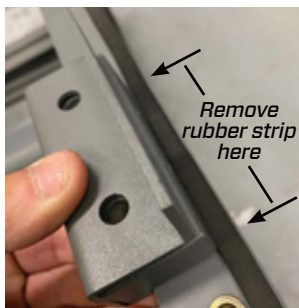
You will need to cut and clean the rubber strip to allow spacing block to fit neatly.

3

INSTALLING ASSEMBLED DRAWER STACKING KIT

Open drawers fully. On the inside of the drawers, place the assembled **Drawer Stacking Kit** in the channel between the top and bottom drawers.

Align one assembled **Drawer Stacking Kit** towards the front and one to the rear in the pre drilled holes in the base and side of the drawer frames . You will need to do this to both sides of the drawer to complete the installation.

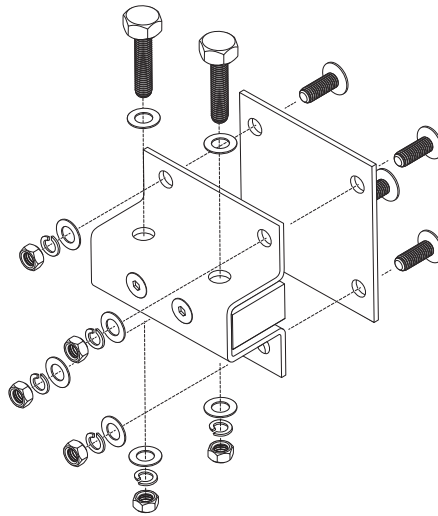


4

ATTACHING THE DRAWER STACKING KIT

When all bolts are started recheck the drawers are properly aligned and fully tighten all bolts.

You can now replace the top deck on your top drawer and you have completed your installation



PLEASE NOTE

Same size MSA Storage Drawers can not be stacked when combined with a MSA Cargo Barrier.

Visit our website for information regarding the stacking of different size MSA Storage Drawers using the MSA Drawer Stacking Kits. [msa4x4.com.au/resources/stacking kit](https://msa4x4.com.au/resources/stacking-kit)



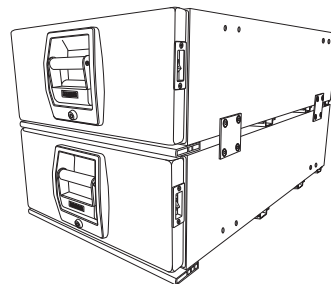
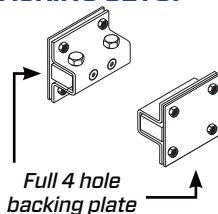
PLEASE NOTE

2 Drawers Stacking Setup Requires:
 1x Stacking Kit, 4 x Full 4 Hole Backing Plates. That bolt to the outside of the MSA Storage Drawers using the supplied M8 Countersunk Bolts, nuts and washers.

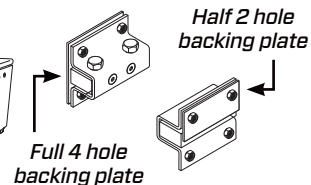
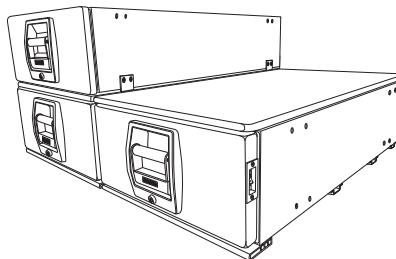
3 Drawers Stacking Setup Requires:
 1x Stacking Kit, 2 x Full 4 Hole Backing Plates and 2 x Half 2 Hole Backing Plates. That bolt to the outside of the MSA Storage Drawers using the supplied M8 Countersunk Bolts, nuts and washers. The bottom two holes of the Backing Plates will bolt directly to the bottom MSA Storage Drawers.

4 Drawers Stacking Setup Requires:
 2x Stacking Kits, however only, 4 x Full 4 Hole Backing Plates are used and bolt to the outside of the MSA Storage Drawers. No backing plates are required for the Stacking Kits positioned between the drawers as they will bolt into each other with M8 Button Head Bolts supplied in the Joining Kit.

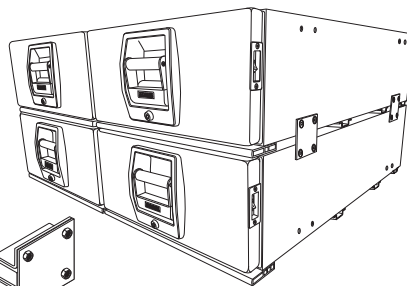
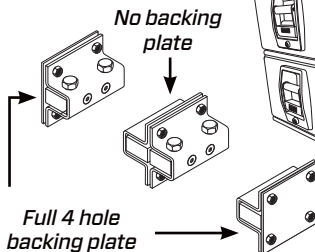
2 DRAWERS STACKING SETUP



3 DRAWERS STACKING SETUP



4 DRAWERS STACKING SETUP



MSA 4X4 LIFETIME GUARANTEE

All MSA 4X4 Accessories products are designed and manufactured to the highest quality standards to perform as they should. We stand behind our products with a Lifetime Manufacturer's Warranty. All claims under this warranty should be made by returning the product at your cost to MSA 4X4 Accessories Pty Ltd, 43 Harrington Street, Arundel, QLD 4214, with the detail of the fault, proof of purchase, proof of identification and vehicle fitment details where relevant. Lifetime manufacturer's warranty applies to the original purchaser only.

If we determine that an MSA 4X4 Accessories product is defective in materials or workmanship during the Lifetime Warranty, we will either repair or replace the product. Repair or replacement is solely at the discretion of MSA 4X4 Accessories Pty Ltd. This warranty does not apply to failure or damage caused by incorrect or faulty fitment, accidental or intentional damage, misuse or abuse, failure of other products, operation of the product outside of its environmental or technical specifications, or repair or modification carried out by anyone other than MSA 4X4 Accessories Pty Ltd. No charges will be accepted for external labour or materials.

Lifetime warranty applies to all MSA 4X4 Accessories Fridge Slides, Fridge Barriers, Storage Drawers, and steel or aluminium products, excluding MSA 4X4's Driving Mirrors & Power Panels. MSA 4X4 Accessories Lifetime warranty does not cover any coating faults, rust, scratches, chips, carpet or battery packs. Fabric product Lifetime Warranty covers all manufacture and fabric components. Lifetime Warranty will not cover any fading of fabrics.

MSA 4X4 Accessories products are designed for lifestyle applications. Due to the harshness of the mining environment, MSA 4X4 Accessories products used in mining applications that may be operating outside of their environmental and technical specifications are therefore excluded from a Lifetime Warranty. MSA 4X4 Accessories products used in mining applications are warranted for up to 1 year.

Our goods come with guarantees that cannot be excluded under the Australian Consumer Law. You are entitled to a replacement or refund for a major failure and compensation for any other reasonably foreseeable loss or damage. You are also entitled to have the goods repaired or replaced if the goods fail to be of acceptable quality and the failure does not amount to a major failure.

DISCLAIMER

MSA 4X4 Accessories Pty Ltd is not liable to the buyer in contract or in tort arising out of, or in connection with, or relating to; (a) the performance of this product or any breach of these conditions; or (b) any fact, matter of thing relating to this product; or any error (whether negligent or in breach of contract or not) in information supplied to the buyer or a user before or after the date of the purchaser's or user's use of this product.

Address:

43 Harrington Street,
Arundel QLD, 4214

ABN: 50 150 429 566

Phone:

+61 7 5594 6664

Email:

warranties@msa4x4.com.au

Website:

msa4x4.com.au





40001 0421



[MSA4X4.COM.AU](https://www.msa4x4.com.au) | GEAR FOR LIFE